

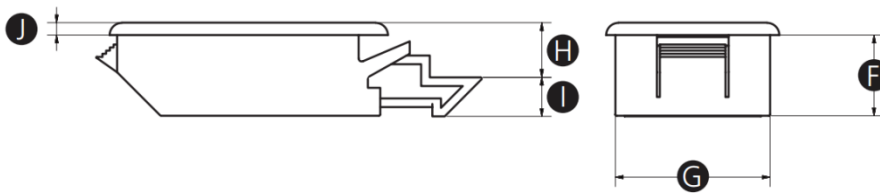
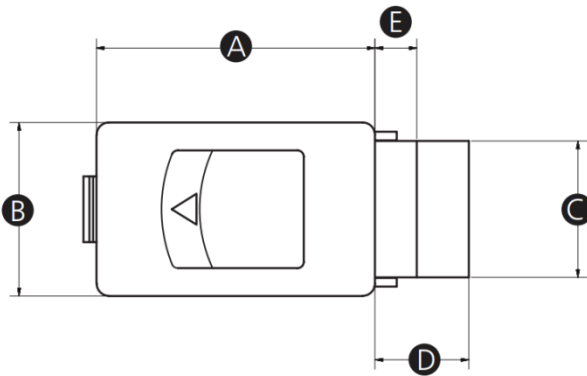
G03PL Push-to-Close Latch

Features

- Snap-in slide latch with 6mm slide movement
- Available in black and white colours

Material

- 5% glass filled PA66



Part No.	A	B	C	D	E	F	G	H	I	J	Colour
G03PL-15934R	45	28	22	15	7	13	25	9	6.5	2	Black
G03PL-16142Z											White